

OmniCam®

TRACK CAMERA SYSTEM

SPECIFICATIONS



Head Speed		High Speed	Regular Speed
Pan (Unlimited)			
Max.	(360°)	3s26" (100°/sec)	6s20" (55°/sec)
Min.	(360°)	4m (1,5°/sec)	6m23s (1°/sec)
Tilt (300°)			
Max.	(180°)	3s (60°/sec)	6s (30°/sec)
Min.	(180°)	4m (0,75°/sec)	6m (0,5°/sec)
Roll (360°)			
Max.	(360°)	4s (90°/sec)	--
Min.	(360°)	6m (1°/sec)	--

Camera Support

Standard Speed	21,7 Km/h (max.)
Speed 40 (optional 40Km/h - photo below)	37,5 Km/h (max.)
Ability to Corner	✓
Gel Batteries	2x 7.2 Ah / 12 V
Average Running Time (without batteries replacement)	4-5 h
Charge in the Monorail (24h operational)	✓

Wireless Remote Control

Joystick (pan, tilt)	✓
Roll	✓
Pedals (traveling)	✓
Zoom, Focus & Iris	✓
Full Function CCU	✓



Speed40

PANASONIC



SONY



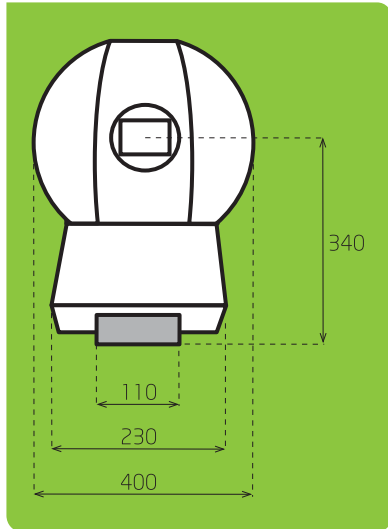
Cameras*

	E-650/655/750/860	HC-1500	X300
3 CCD	1/2" · 2/3" · 2/3" wide	2/3" 1 Million Pix. IT	1/2" 1.6 Million Pix. IT
Horizontal Resolution	850 lines		1440 lines
SDI / HDSDI output	SDI	All Formats	1080/50i - 60i
16:9	✓	(HD-SDI)	(HD-SDI)
Lens	Canon 18x6.7 / 9x3.8 Fujinon 12x5	Canon HD HJ9x5.5B	Canon 19x6.7

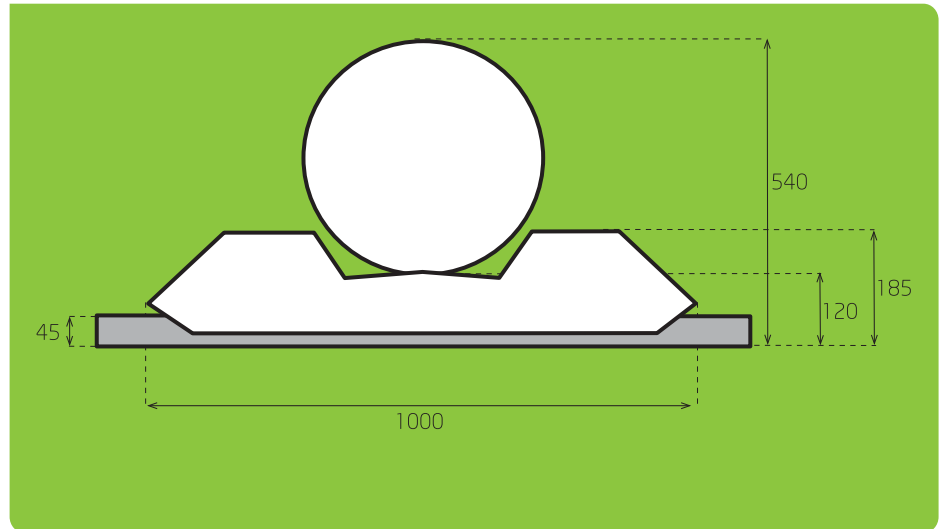
* Possible cameras to fit inside the system.
Other cameras can be fit inside the system.

DIMENSIONS:

FRONT VIEW

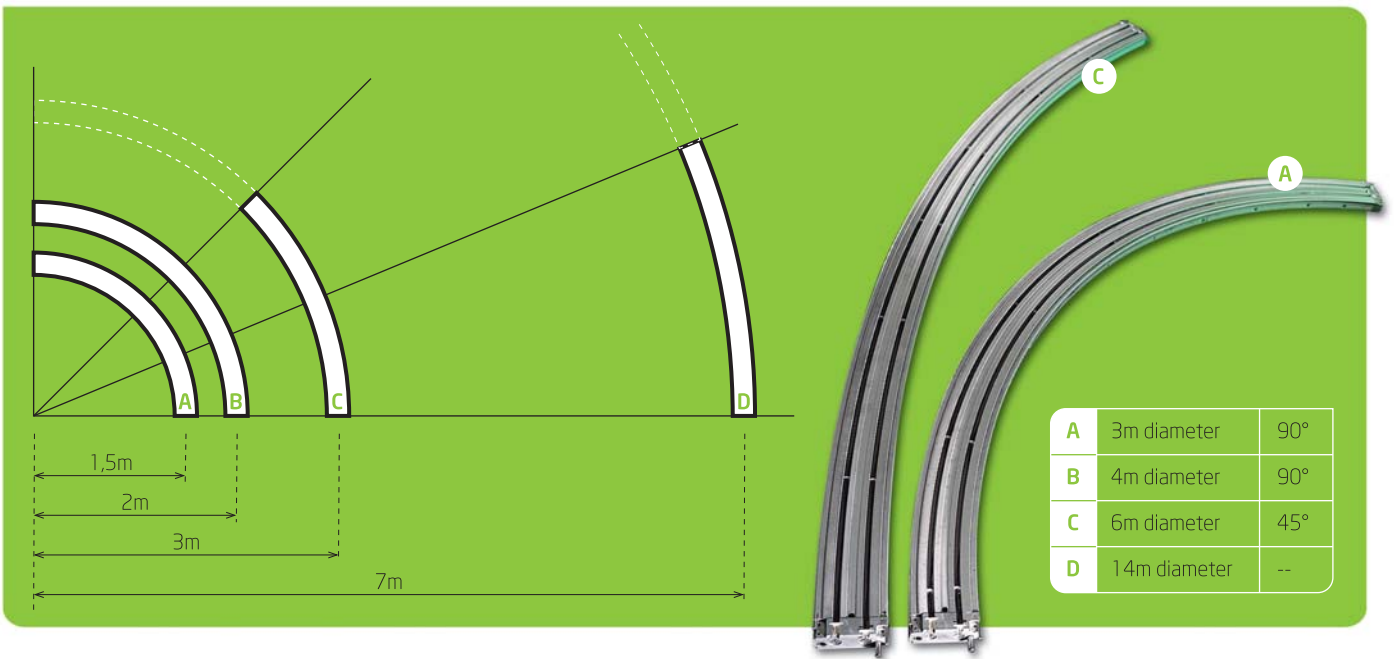


SIDE VIEW



Unit: mm. Design and specifications subject to change without prior notice.

TRACK CURVE SCHEME:



Estúdios Grupo TV · Apartado 64 · Asseiceira Grande - Milharado · 2669-908 Venda do Pinheiro · Portugal
 phone (+351) 21 831 06 80 mobile (+351) 93 200 90 08 fax (+351) 21 831 06 81
 e-mail info@omnicam.tv

www.omnicam.tv